

Air Treatment Box Sets



*Filter Regulator
Box Set
(With Bracket & Gauge)*



*Filter Regulator
Lubricator Box Set
(With Bracket & Gauge)*

1/4" 3/8" 1/2" Sizes Available

- Air Filtration to 25 Micron
(5 Micron on Request)
- Manual, Semi or Fully Automatic Drain
- Self-Relieving Diaphragm
(Outlet Pressure 0.5 -10 Bar)

PRODUCT INDEX

	Series	Page
Filters	MC	528
Coalescing Filters	MC	528
Pressure Regulators	MC	529
Lubricators	MC	529
Filter/Regulators	MC	530
Lockable Isolation 3-way Valves	MC	530
3/2 Valves Pneumatically or Electropneumatically Operated	MC	531
Soft Start Valve	MC	531
Take-off Block	MC	531
FRL	MC Assembled	532
Assembly Manifold Regulators	MC	533
Pressure Regulators with Banjo in Technopolymer	CLR	534
Pressure Micro Regulators	M	535
Filter and Coalescing Filter	N	536
Pressure Regulators	N	537
Lubricators	N	537
Filter/Regulators	N	538
Pressure Gauges		538
Accessories for FRL	C, MC, N and M	539

Series MC Filters

Connections: 1/4, 3/8, 1/2
Modular
With metal bowl and bayonet-type mounting



CODING EXAMPLE

MC	1	04	-	F	0	0
MC	SERIES: MC			F	F = filter	
1	SIZE: 1 = 1/4 2 = 3/8 - 1/2			0	FILTERING ELEMENT: 0 = 25µm (standard) 1 = 5µm	
04	CONNECTIONS: 04 = 1/4 38 = 3/8 02 = 1/2			0	DRAINING OF CONDENSATE: 0 = normal - semi-automatic (standard) 3 = automatic (only 3/8 - 1/2) 4 = depressurisation (only 1/4) 5 = depressurisation, protected 8 = connection 1/8	

4.
8

Semi Auto Drain	1/4	3/8	1/2
25 micron	MC104 F00	MC238 F00	MC202 F00
5 micron	MC104 F10	MC238 F10	MC202 F10
Depressurisation Drain	1/4	Automatic Drain 3/8	1/2
25 micron	MC104 F04	MC238 F03	MC202 F03
5 micron	MC104 F14	MC238 F13	MC202 F13
Depressurisation Drain Protected	1/4	3/8	1/2
25 micron	MC104 F05	MC238 F05	MC202 F05
5 micron	MC104 F15	MC238 F15	MC202 F15
Connection 1/8	1/4	3/8	1/2
25 micron	MC104 F08	MC238 F08	MC202 F08
5 micron	MC104 F18	MC238 F18	MC202 F18

Series MC Coalescing Filters

Connections: 1/4, 3/8, 1/2
Modular
With metal bowl and bayonet-type mounting



CODING EXAMPLE

MC	1	04	-	F	B	0
MC	SERIES: MC			F	F = filter	
1	SIZE: 1 = 1/4 2 = 3/8 - 1/2			B	FILTERING ELEMENT: 0 = 0.01µm	
04	CONNECTIONS: 04 = 1/4 38 = 3/8 02 = 1/2			0	DRAINING OF CONDENSATE: 0 = normal - semi-automatic (standard) 3 = automatic (only 3/8 - 1/2) 4 = depressurisation (only 1/4) 5 = depressurisation, protected 8 = connection 1/8	

Coalescing Filter 0.01 Micron	1/4	3/8	1/2
Semi Auto Drain	MC104 FB0	MC238 FB0	MC202 FB0
Depressurisation Drain	MC104 FB4	Automatic Drain MC238 FB3	MC202 FB3
Depressurisation Drain Protected	MC104 FB5	MC238 FB5	MC202 FB5
Connection 1/8	MC104 FB8	MC238 FB8	MC202 FB8

FILTERS, REGULATORS AND LUBRICATORS

Series MC Pressure Regulators

Connections: 1/4, 3/8, 1/2
Modular

CODING EXAMPLE

MC	1	04	-	R	0	0
-----------	----------	-----------	----------	----------	----------	----------

MC	SERIES: MC	R	R = regulator
1	SIZE: 1 = 1/4 2 = 3/8 - 1/2	0	OPERATING PRESSURE: 0 = 0.5 - 10 (standard) 1 = 0 - 4
04	CONNECTIONS: 04 = 1/4 38 = 3/8 02 = 1/2	0	DESIGN TYPE: 0 = self-relieving (standard) 1 = non-relieving



4.
8

Self Relieving	1/4	3/8	1/2
0.5 - 10 bar	MC104 R00	MC238 R00	MC202 R00
0 - 4 bar	MC104 R10	MC238 R10	MC202 R10

Non Relieving	1/4	3/8	1/2
0.5 - 10 bar	MC104 R01	MC238 R01	MC202 R01
0 - 4 bar	MC104 R11	MC238 R11	MC202 R11

Series MC Lubricators

Connections: 1/4, 3/8, 1/2
Modular
With metal bowl and bayonet-type mounting

CODING EXAMPLE

MC	1	04	-	L	00
-----------	----------	-----------	----------	----------	-----------

MC	SERIES: MC	L	L = lubricator
1	SIZE: 1 = 1/4 2 = 3/8 - 1/2	00	DESIGN TYPE: 00 = atomized oil
04	CONNECTIONS: 04 = 1/4 38 = 3/8 02 = 1/2		



	1/4	3/8	1/2
Part Number	MC104 L00	MC238 L00	MC202 L00

Series MC Filter/Regulator

Connections: 1/4, 3/8, 1/2
Compact (modular) with metal bowl and bayonet-type mounting



CODING EXAMPLE

MC	1	04	-	D	0	0
MC	SERIES: MC			D	D = filter/regulator	
1	SIZE: 1 = 1/4 2 = 3/8 - 1/2			0	FILTERING ELEMENT: 0 = 25µm (standard) 1 = 5µm	
04	CONNECTIONS: 04 = 1/4 38 = 3/8 02 = 1/2			0	DRAINING OF CONDENSATE: 0 = - semi-automatic self-relieving (standard) 1 = semi-automatic, non-relieving 3 = automatic (only 3/8 - 1/2) 4 = depressurisation (only 1/4) 5 = depressurisation, protected 8 = connection 1/8	

4.
8

Semi Auto Drain Self Relieving	1/4	3/8	1/2
25 micron	MC104 D00	MC238 D00	MC202 D00
5 micron	MC104 D10	MC238 D10	MC202 D10
Semi Auto Drain Non Relieving	1/4	3/8	1/2
25 micron	MC104 D01	MC238 D01	MC202 D01
5 micron	MC104 D11	MC238 D11	MC202 D11
Depressurisation Drain	1/4	Automatic Drain 3/8	1/2
25 micron	MC104 D04	MC238 D03	MC202 D03
5 micron	MC104 D14	MC238 D13	MC202 D13
Depressurisation Drain Protected	1/4	3/8	1/2
25 micron	MC104 D05	MC238 D05	MC202 D05
5 micron	MC104 D15	MC238 D15	MC202 D15
Connection 1/8	1/4	3/8	1/2
25 micron	MC104 D08	MC238 D08	MC202 D08
5 micron	MC104 D18	MC238 D18	MC202 D18

Series MC Lockable Isolation 3-way Valve

Connections: 1/4, 3/8, 1/2
Modular



CODING EXAMPLE

MC	1	04	-	V	01
MC	SERIES: MC			V	V = 3-way Valve
1	SIZE: 1 = 1/4 2 = 3/8 - 1/2			01	DESIGN TYPE: 01 = padlock valve (manual operation)
04	CONNECTIONS: 04 = 1/4 38 = 3/8 02 = 1/2				

Part Number	1/4	3/8	1/2
	MC104 V01	MC238 V01	MC202 V01

FILTERS, REGULATORS AND LUBRICATORS

Series MC 3/2 Valve Pneumatically or Electropneumatically Operated

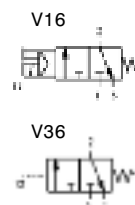
Connections: 1/4, 3/8, 1/2
Modular

CODING EXAMPLE

MC	1	04	-	V	16
-----------	----------	-----------	----------	----------	-----------

MC SERIES: MC

1	SIZE: 1 = 1/4 2 = 3/8 - 1/2	V	V = 3/2 valve
04	CONNECTIONS: 04 = 1/4 38 = 3/8 02 = 1/2	16	DESIGN TYPE: 16 = electropneumatic 36 = pneumatic



	1/4	3/8	1/2
Electropneumatic	MC104 V16	MC238 V16	MC202 V16
Pneumatic	MC104 V36	MC238 V36	MC202 V36

Series MC Soft Start Valve

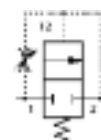
Connections: 1/4, 3/8, 1/2
Modular

CODING EXAMPLE

MC	1	04	-	AV
-----------	----------	-----------	----------	-----------

MC SERIES: MC

1	SIZE: 1 = 1/4 2 = 3/8 - 1/2	AV	AV = soft start valve
04	CONNECTIONS: 04 = 1/4 38 = 3/8 02 = 1/2		



	1/4	3/8	1/2
Part Number	MC104 AV	MC238 AV	MC202 AV

Series MC Take-off Block

Connections: 1/4 and 1/2

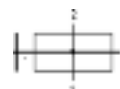
CODING EXAMPLE

MC	2	-	B	-	VNR
-----------	----------	----------	----------	----------	------------

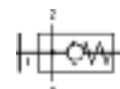
MC SERIES: MC

2	SIZE: 1 = 1/4 2 = 1/2	VNR	VERSION: VNR = with non return valve
B	B = take off block		

MC-1-B
MC-2-B



MC-1-B-VNR
MC-2-B-VNR



	1/4	1/2
Part Number	MC1-B	MC2-B
Part Number	MC1-B-VNR	MC2-B-VNR

FRL Series MC Assembled

Connections: 1/4, 3/8, 1/2

The FRL Series MC in the assembled versions are easier to order (one single code) and to mount.



CODING EXAMPLE

MC	1	04	-	C	-	25	-	FL
-----------	----------	-----------	----------	----------	----------	-----------	----------	-----------

MC	SERIES: MC	
1	SIZE: 1 = 1/4 2 = 3/8 - 1/2	C ASSEMBLY GROUP: C = D + L E = V01 + D + L FRL = F + R + L GN = D + L + V16 + AV HNA = V01 + D + L + V16 + AV + PRESS N.A. HNC = V01 + D + L + V16 + AV + PRESS N.C. N = V01 + D PN = D + V16 + AV QN = V01 + D + V16 + AV TN = V01 + D + L + V16 + AV U = F13 + FB3 (only 3/8 - 1/2) ZNA = V01 + D + V16 + AV + PRESS N.A. ZNC = V01 + D + V16 + AV + PRESS N.C.
04	CONNECTIONS: 04 = 1/4 38 = 3/8 02 = 1/2	
25	FILTERING ELEMENT: 5 = 5 μm (upon request) 25 = 25 μm (standard)	FL VERSION: FL = with terminal flanges
FL		

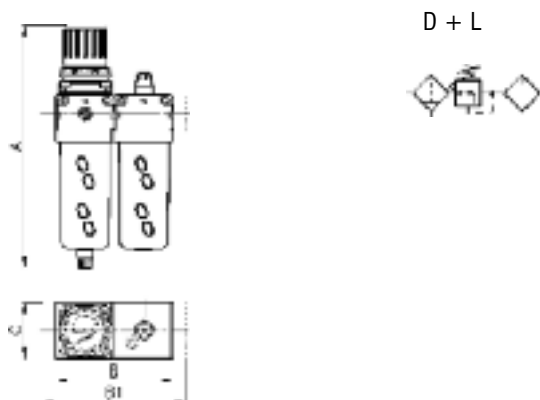
4.8

ASSEMBLY GROUP KEY

D	Filter-regulator 0-10 bar semi-automatic manual drain filtering element 25μm	F	Filter 25 μm
V01	Valve 3/2 way manually operated	R	Regulator 0 - 10 bar
V16	Valve 3/2 way electropneumatically operated	AV	Soft start valve
L	Lubricator	PRESS	Pressure switches (defined if N.C. or N.A.)
		F13	Filter 5μm or 25μm with automatic drain
		FB3	Coalescing filters with automatic drain, 0,01μm 3/8 - 1/2

Assembly group C

(see above for descriptions)

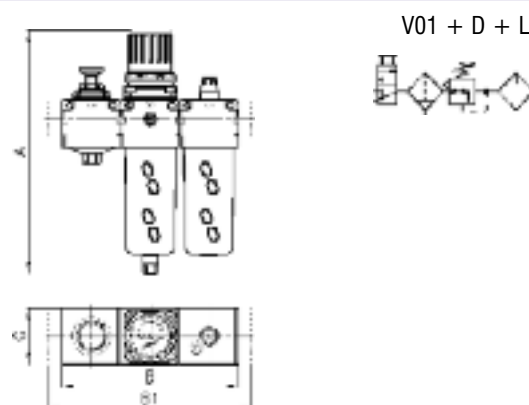


Including gauge and bracket

DIMENSIONS					
Part Number	A	B	B1	C	Connection
MC104-C-25	193.5	90	-	45	1/4
MC104-C-25-FL	193.5	-	114	45	1/4
MC238-C-25	256.5	124	-	60	3/8
MC238-C-25-FL	256.5	-	152	60	3/8
MC202-C-25	256.5	124	-	60	1/2
MC202-C-25-FL	256.5	-	152	60	1/2

Assembly group E

(see above for descriptions)



Including gauge and bracket

DIMENSIONS					
Part Number	A	B	B1	C	Connection
MC104-E-25	193.5	135	-	45	1/4
MC104-E-25-FL	193.5	-	159	45	1/4
MC238-E-25	256.5	186	-	60	3/8
MC238-E-25-FL	256.5	-	214	60	3/8
MC202-E-25	256.5	186	-	60	1/2
MC202-E-25-FL	256.5	-	214	60	1/2

FILTERS, REGULATORS AND LUBRICATORS

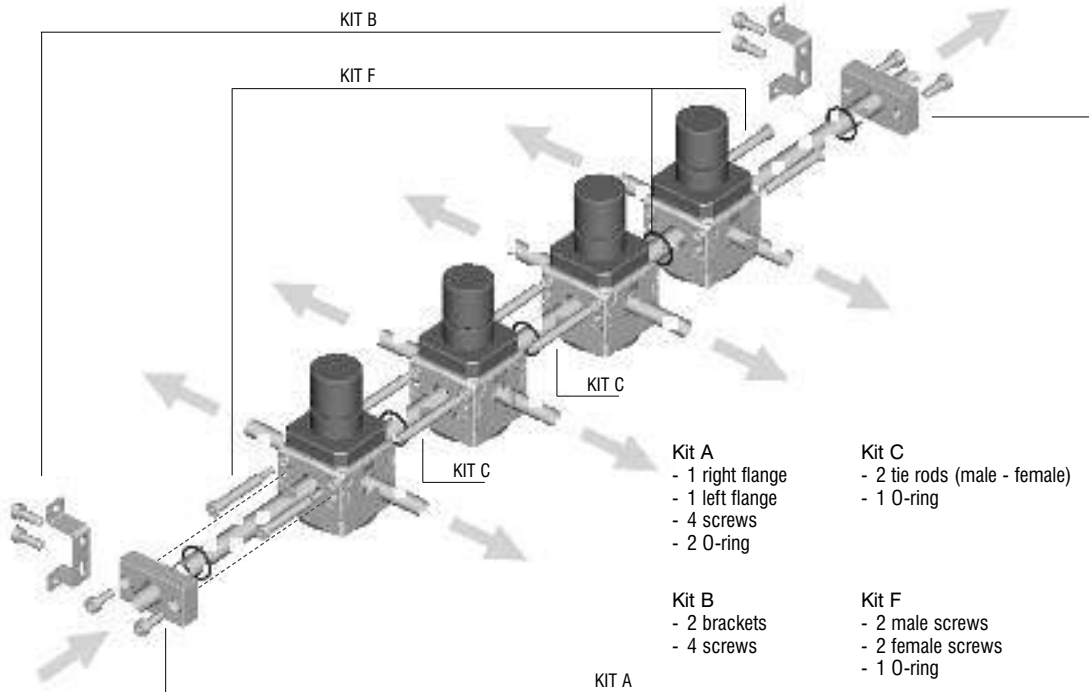
Series MC Assembly Manifold Regulators

Regulators for manifold assembly

CODING EXAMPLE

MC	1	04	-	M	0	0
-----------	----------	-----------	----------	----------	----------	----------

MC	SERIES: MC	M	M = manifold regulator
1	SIZE: 1 = 1/4	0	OPERATING PRESSURE: 0 = 0.5 - 10 (standard) 1 = 0 - 4
04	CONNECTIONS: 04 = 1/4	0	CONSTRUCTION: 0 = self-relieving (standard) 1 = non-relieving



4.
8

Manifold Regulator	Kit A	Kit B	Kit C	Kit F
Part Number	MC104 M00	MC104-FL	MC104-ST	MC1-VMF

Assembly without terminal flanges



Body	Kit
H + H	1 Kit "F"
H + H + H	1 Kit "F" + 1 Kit "C"
H + H + H + H	1 Kit "F" + 2 Kit "C"
H + H + H + H + H	1 Kit "F" + 3 Kit "C"

Assembly with terminal flanges

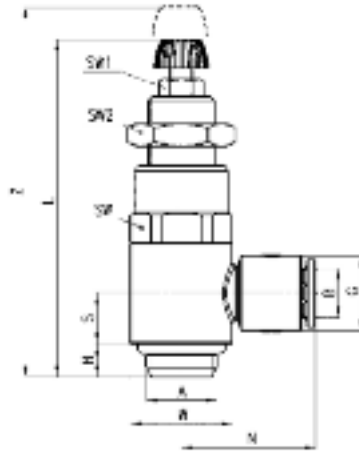


Body	Kit
H + H	1 Kit "A" + 1 Kit "F"
H + H + H	1 Kit "A" + 1 Kit "F" + 1 Kit "C"
H + H + H + H	1 Kit "A" + 1 Kit "F" + 2 Kit "C"
H + H + H + H + H	1 Kit "A" + 1 Kit "F" + 3 Kit "C"

Series CLR Pressure Regulators with Banjo in Technopolymer

Connections: 1/8, 1/4

These Pressure Regulators are supplied complete with banjo, in-line or console mounting



Technical Data

- Type of Construction**
Piston regulator
- Inlet Pressure**
2 to 10 bar
- Outlet Pressure**
0.5 to 10 bar
- Operating Temperature**
0°C to +50°C
- Nominal Flow**
See graphs
- Secondary Pressure Relieving**
Standard
- Materials**
Brass , technopolymer, NBR
- Connections**
1/8 - 1/4
- Weight**
CLR 1/8 = 35g CLR 1/4 = 50g
- Mountings**
In-line or panel mounting
(in any position)

4.
8

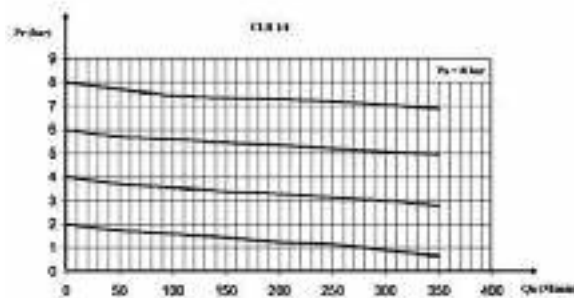
CODING EXAMPLE

CL	R	1/8	-	4
-----------	----------	------------	----------	----------

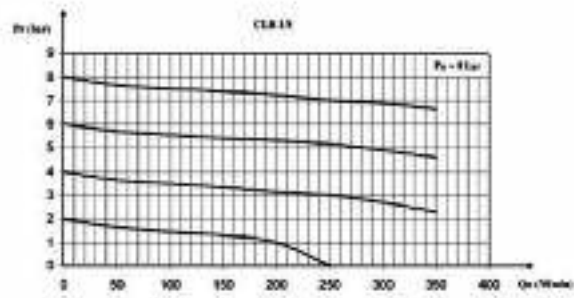
CL	SERIES: CL	1/8	CONNECTIONS: 1/8, 1/4
R	R = regulator	4	DIAMETER: ø4 (1/8 only) ø6 ø8

Part Number	A	B	G	H	L	N	S	W	SW	SW1	SW2	Z
CLR 1/8-4	1/8	4	11.6	5	55	21	7.75	14	14	7	14	42.5
CLR 1/8-6	1/8	6	11.6	5	55	21	7.75	14	14	7	14	42.5
CLR 1/8-8	1/8	8	13.9	5	55	22.5	7.75	14	14	7	14	42.5
CLR 1/4-6	1/4	6	13.9	6	61.5	24.5	9.25	18.6	17	7	17	48
CLR 1/4-8	1/4	8	13.9	6	61.5	24.5	9.25	18.6	17	7	17	4

Flow Diagrams



Flow diagram for models: CLR 1/4
Pa = Inlet pressure (10 Bar)
Pr = Regulated pressure
Qn = Flow



Flow diagram for models: CLR 1/8
Pa = Inlet pressure (10 Bar)
Pr = Regulated pressure
Qn = Flow

FILTERS, REGULATORS AND LUBRICATORS

Series M Pressure Micro Regulator

Connections: 1/8, 1/4

CODING EXAMPLE

M	0	04	-	R	0	0	-
----------	----------	-----------	----------	----------	----------	----------	----------

M	SERIES: M	
0	SIZE: 0	0 OPERATING PRESSURE: 0 = 0.5 - 10 (standard) 1 = 0 - 4
04	CONNECTIONS: 08 = 1/8 04 = 1/4	0 DESIGN TYPE: 0 = self-relieving 1 = non-relieving 5 = precise setting
R	R = regulator	- REGULATION TYPE: = without high relief flow VS = high relief flow



4.
8

*High relief flow available on request

Self Relieving	1/8	1/4	Non Relieving	1/8	1/4
0.5 - 10 bar	M008 R00	M004 R00	0.5 - 10 bar	M008 R01	M004 R01
0 - 4 bar	M008 R10	M004 R10	0 - 4 bar	M008 R11	M004 R11
Precise Setting	1/8	1/4	Precise Setting	1/8	1/4
0.5 - 10 bar	M008 R05	M004 R05	0 - 4 bar	M008 R15	M004 R15

Series N Filter and Coalescing Filter

Connections: 1/8 and 1/4
with screw-on transparent bowl



4.
8

CODING EXAMPLE

N	2	04	-	F	0	0
N	SERIES: N			F	F = filter	
2	SIZE: 1 = small bowl 2 = standard bowl			0	FILTERING ELEMENT: 0 = 25µm (standard) 1 = 5µm B = 0.01µm	
04	CONNECTIONS: 08 = 1/8 04 = 1/4			0	DRAINING OF CONDENSATE: 0 = manual - semi-automatic 4 = depressurisation 5 = depressurisation, protected 8 = connection 1/8	

Semi Auto Drain	1/8 Small Bowl	1/4 Small Bowl	1/8 Standard Bowl	1/4 Standard Bowl
25 micron	N108 F00	N104 F00	N208 F00	N204 F00
5 micron	N108 F10	N104 F10	N208 F10	N204 F10

Depressurisation Drain	1/8 Standard Bowl	1/4 Standard Bowl
25 micron	N208 F04	N204 F04
5 micron	N208 F14	N204 F14

Depressurisation Drain Protected	1/8 Standard Bowl	1/4 Standard Bowl
25 micron	N208 F05	N204 F05
5 micron	N208 F15	N204 F15

Connection 1/8	1/8 Small Bowl	1/4 Small Bowl	1/8 Standard Bowl	1/4 Standard Bowl
25 micron	N108 F08	N104 F08	N208 F08	N204 F08
5 micron	N108 F18	N104 F18	N208 F18	N204 F18

Coalescing Filter 0.01 micron	1/8 Small Bowl	1/4 Small Bowl	1/8 Standard Bowl	1/4 Standard Bowl
Semi Auto Drain	N108 FB0	N104 FB0	N208 FB0	N204 FB0
Depressurisation Drain			N208 FB4	N204 FB4
Depressurisation Drain Protected			N208 FB5	N204 FB5
Connection 1/8	N108 FB8	N104 FB8	N208 FB8	N204 FB8

FILTERS, REGULATORS AND LUBRICATORS

Series N Pressure Regulators

Connections: 1/8, 1/4

CODING EXAMPLE

N	12	04	-	R	0	0
N	SERIES: N			R	R = regulator	
12	SIZE: 12			0	OPERATING PRESSURE: 0 = 0.5 - 10 (standard) 1 = 0 - 4	
04	CONNECTIONS: 08 = 1/8 04 = 1/4			0	DESIGN TYPE: 0 = self-relieving 1 = non-relieving	



4.
8

Self Relieving	1/8	1/4	Non Relieving	1/8	1/4
0.5 - 10 bar	N1208 R00	N1204 R00	0.5 - 10 bar	N1208 R01	N1204 R01
0 - 4 bar	N1208 R10	N1204 R10	0 - 4 bar	N1208 R11	N1204 R11

Series N Lubricator

Connections: 1/8, 1/4
with screw-on transparent bowl

CODING EXAMPLE

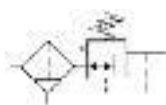
N	2	04	-	L	00	
N	SERIES: N					
2	SIZE: 1 = small bowl 2 = standard bowl			L	L = lubricator	
04	CONNECTIONS: 08 = 1/8 04 = 1/4			00	DESIGN TYPE: 00 = atomized oil	



Part Number	Connection
N108 L00	1/8
N104 L00	1/4
N208 L00	1/8
N204 L00	1/4

Series N Filter/Regulator

Connections: 1/8, 1/4
with screw-on transparent bowl



CODING EXAMPLE

N	2	04	-	D	0	0
N	SERIES: N			D	D = filter/regulator	
2	SIZE: 1 = small bowl 2 = standard bowl			0	FILTERING ELEMENT: 0 = 25µm standard 1 = 5µm	
04	CONNECTIONS: 08 = 1/8 04 = 1/4			0	DRAINING OF CONDENSATE: 0 = semi-automatic, self-relieving 1 = semi-automatic, non-relieving 4 = depressurisation, self-relieving 5 = depressurisation, protected 8 = connection 1/8	

4.
8

Semi Auto Drain	1/8 Small Bowl	1/4 Small Bowl	1/8 Standard Bowl	1/4 Standard Bowl
25 micron	N108 D00	N104 D00	N208 D00	N204 D00
5 micron	N108 D10	N104 D10	N208 D10	N204 D10

Depressurisation Drain	1/8 Standard Bowl	1/4 Standard Bowl
25 micron	N208 D04	N204 D04
5 micron	N208 D14	N204 D14

Depressurisation Drain Protected	1/8 Standard Bowl	1/4 Standard Bowl
25 micron	N208 D05	N204 D05
5 micron	N208 D15	N204 D15

Connection 1/8	1/8 Small Bowl	1/4 Small Bowl	1/8 Standard Bowl	1/4 Standard Bowl
25 micron	N108 D08	N104 D08	N208 D08	N204 D08
5 micron	N108 D18	N104 D18	N208 D18	N204 D18

Pressure Gauges

Pressure gauges ø43 - 53 - 63 mm.
Other Pressure Gauges available on request



Part Number
M043-R06
M043-R12
M053-R12
M063-R12



Part Number
M043-P04
M043-P06
M043-P10
M043-P12
M053-P04
M053-P06
M053-P10
M053-P12
M063-P04
M063-P06
M063-P12



Part Number
M043-F04
M043-F06
M043-F10
M043-F12
M063-F12

FILTERS, REGULATORS AND LUBRICATORS

Accessories for FRL Series C, MC, N, M

Terminal flanges (pair). Series MC (kit A)
Complete with: N° 4 screws, N° 2 O-Ring

Part Number	Connection
MC104-FL	1/4
MC238-FL	3/8
MC202-FL	1/2



2 mounting brackets. Series MC (kit B)
For 1/4, 3/8 and 1/2.
Complete with: N° 4 screws M5

Part Number
MC104-ST



Tie-rod for assembling Series MC (kit C)
Male and female tie-rods complete with:
N° 2 tie-rods, N° 1 O-Ring

Part Number	Connection
MC1-TMF	1/4
MC2-TMF	3/8-1/2



Tie-rod for assembling Series MC (kit D)
Female tie-rods complete with:
N° 2 tie-rods

Part Number	Connection
MC1-TFF	1/4
MC2-TFF	3/8-1/2



Screw for assembling Series MC (kit E)
Complete with:
N° 2 screws, N° 1 O-Ring

Part Number	Connection
MC1-VM	1/4
MC2-VM	3/8-1/2



Screw for assembling Series MC (kit F)
Complete with:
N° 2 male screws, N° 2 female screws, N° 1 O-Ring

Part Number	Connection
MC1-VMF	1/4
MC2-VMF	3/8-1/2



Fixing flange Series C
F-L-R-D (for C401), complete with:
N° 4 screws, N° 2 O-Ring 3150

Part Number	Connection
C434-FL	3/4
C401-FL	1



Mounting bracket Series N
F-L (for 1/8, 1/4).
Complete with: N° 2 screws

Part Number
N204-ST



Mounting bracket. Series MC-M-N
R-D (1/8 - 1/4)

Part Number
C114-ST



Mounting bracket. Series MC-M-N
R-D (1/8 - 1/4)

Part Number	Connection
C114-ST/1	



Mounting bracket. Series MC-M-N
R-D (1/8 - 1/4)

Part Number	Connection
C114-ST/2	



Mounting bracket Series C
V-F-L-R-D (for C238 and C202)
complete with:
N° 2 screws

Part Number
C238-ST/1



Mounting bracket Series C
R-D (for C401).
Complete with:
N° 2 screws

Part Number
C401-ST



Mounting bracket Series C
F-R-L (for C401).
Complete with:
N° 2 screws

Part Number
C401-ST/2



Screw for assembling Series C
F-L-R-D (for C401).
Complete with:
N° 2 screws, N° 1 O-Ring 3150 (spare part only)

Part Number
C4-V



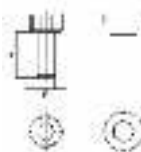
Assembly O-ring, Series C-MC
F-R-L-D

Part Number	
458-33/1	(MC104)
80-26-11/4T	(MC238-MC202)
C401-F33	(C401)



Screw for assembling Series MC
F-R-L (for C401).
Complete with:
N° 2 screws

Part Number
MC1-VMD



4.
8